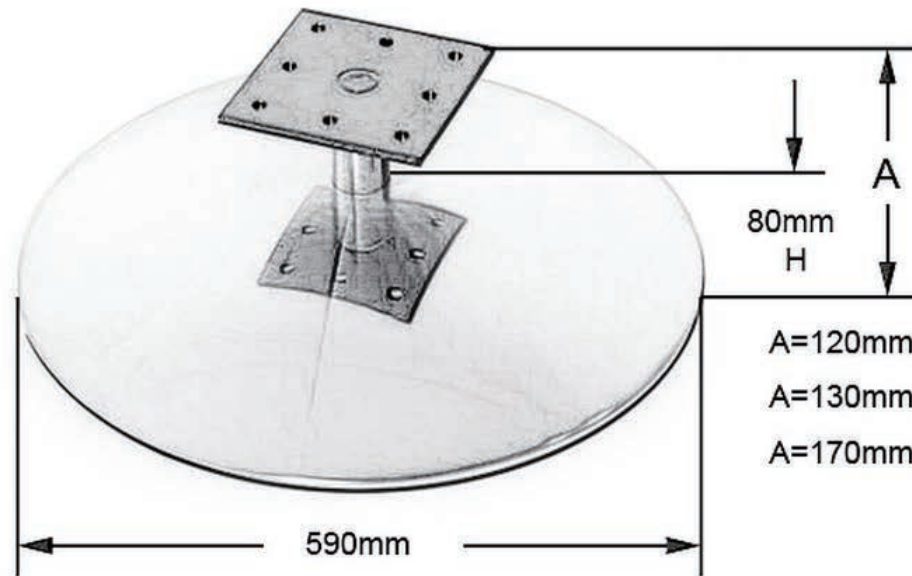


### Bugle base designed for contemporary sofa chairs and club chairs

- Pre-loaded process technology to secure move smoothly
- Heavy duty design with reinforced ribs support
- Under 200KG stress test
- High quality surface with chrome or nickle process optional
- Assembled or unassembled delivery
- Diameter: 590mm
- Height from floor to top of plate: 120, 130, 170, 200mm
- Offers special KD parts for chair backrest



H=80mm, so called Small Bugle Plate

120mm, 130mm fits to sofa chairs (1+2+3), 170mm fits to bar chairs or club chairs as well as studio chairs.

